



CASE
CONSTRUCTION

E-SERIES CRAWLER EXCAVATORS



CX210E-S

HERITAGE

A TRADITION OF INDUSTRY FIRSTS



1842

CASE is founded.

1869

The first CASE portable steam engine - road construction is born.

1957

The first factory-integrated loader/backhoe in the world: a CASE industry first.

1969

CASE begins skid steer loader production.

1977

CASE acquires Poclain, a French brand leader in the excavators market.

1992

Sumitomo becomes supplier to CASE Corporation distributing excavators ranging from 7 to 80 tons.

1998

Global Alliance signed between CASE Corporation and Sumitomo.

2001

CASE introduces the first of its CX excavators, powerful new “thinking machines” designed to enhance productivity through onboard intelligence features.

2007

CX210B is awarded the «Good Design Award» by the design Academy of Japan.

2008

CX210B wins the 18th «Energy Conservation Award» from the Agency for Natural Resources and Energy of the Japanese Ministry of Economy.

2011

CASE becomes the first construction equipment manufacturer to offer both

selective catalytic reduction and cooled exhaust gas recirculation as solutions to meet stringent emissions standards.

2015

CASE launches the new “D-Series” Tier 4 final / EU Stage IV Crawler Excavators.

2018

Stage V production for models CX350D and above, followed by Short Radius models.

2021

CASE introduces the first models of Stage V E-Series Crawler Excavators, featuring new FPT engine, new monitor, enhanced hydraulics and improved connected services.

2024

CASE introduces its first “ESSENTIAL” model, the CX210E-S, providing the same benefits of E-Series models in a new, down-to-earth, no-frills machine.

CRAWLER EXCAVATORS

E-ENHANCED GENERATION

ENHANCED QUALITY AND RELIABILITY

Stronger than ever, built to last

- + Heavy duty boom and arm with welded structures ensuring life-long reliability.
- + Guard bars on arm to grant even more lasting protection from wear.
- + Reinforced lower frame and undercarriage components for top-notch durability.
- + 600 mm shoes in heavy duty version (thickness increased from 8.5 to 10 mm).

ENHANCED PRECISION AND CONTROLLABILITY

Smooth control, efficient operation – more than ever

The trademark **CASE Intelligent Hydraulic System (CIHS)** is now paired with new work modes and adjustable hydraulic settings to deliver smoother and more efficient operation than the previous generation.



E-SERIES

CRAWLER EXCAVATORS



ENHANCED VERSATILITY

A high degree of customization for every task

The new-concept work modes with independent throttle position offer a precise match to the requirements of every task:

SP (Super Power) mode for maximum productivity (as in D-Series) with the throttle set at maximum power.

P (Power) mode replaces H and A mode in D-Series, with throttle settings from 1 to 10.

E (Eco) mode for maximum fuel economy, with throttle settings from 1 to 10.

L (Lifting) mode is optimized for object handling with power boost permanently activated and overload warning system, and throttle settings from 1 to 6.

The choice of available work modes can be locked by the machine owner.

NEW The ground-breaking Eco mode reduces fuel consumption through selective control of engine and pump depending on the movement. It maintains maximum pump torque to deliver high productivity, while minimizing fuel consumption during low effort operations.



The balance of the hydraulic flows can also be customized to suit the operator's preferences:

- + “Arm In” vs “Boom Up”
- + “Arm In” vs “Swing”

The E-Series takes versatility even further by enabling the operator to select the type of work tool and input the customizable model number on the machine's monitor. When selecting the flow and pressure settings, they can also set the maximum overflow to protect the attachment.

A new, optional +500 kg **additional counterweight** is available to ensure perfect stability also with heavier quick couplers and attachments, further extending the machine's capacity to adapt to different work conditions.



PRODUCTIVITY

WORK SMART, PRODUCE MORE



ENHANCED EFFICIENCY

Top performance, high fuel economy

The new-generation E-Series combines the proven energy saving features of the D-Series with new work modes and hydraulic settings to raise the bar on efficiency.

The advanced automatic energy management system inherited from the D-Series consists of six key energy control functionalities:

- + **Pump Torque Control:** prevents drops in engine speed due to overtorque in high load operations while reducing fuel consumption in operations where maximum pump power is not required.
- + **Boom Economy Control:** increases fuel efficiency during boom down and swing movements.
- + **Swing Relief Control:** reduces the initial pump flow while improving control at the start of swing movements to lower fuel consumption.
- + **Spool Stroke Control:** automatically adjusts pressure based on the sensors' feedback, avoiding unnecessary functionality.
- + **Boom Oil Regeneration:** the returning oil from boom down is used to speed up the arm out movement.
- + **Auto Idle / Idle Shutdown:** customizable and manually switchable functions that lower engine rpms after a period of inactivity or shut down the engine after a period of idling.

With all these features, coordinated by the CASE Intelligent Hydraulic System, together with the new FPT engine, the E-Series excavators deliver unprecedented performance and high fuel economy.



CLEANER POWER

EU Stage V compliant engines



The new FPT NEF engines meet Stage V standards with the innovative HI-eSCR2 solution developed in-house, which only uses a Diesel Oxidation Catalyst and an integrated **maintenance-free** device on the SCR catalyst to achieve this dramatic reduction in emissions.

- + The SCR-on-Filter is “built-for-life” and requires no replacement or mechanical cleaning for its entire guaranteed emission regulation life.
- + The air intake flow is increased by a turbocharger with air-to-air cooling.
- + The multiple injection delivers best-in-class high torque performance at low rpms.
- + **No EGR** valve means 100% fresh air is used for combustion and no extra cooling system is required.

The new Stage V NEF engines can take their low-emission performance even further, as they can operate on **B7 biodiesel** and **HVO** (an even cleaner and more high-quality alternative to biodiesel, with superior performances in cold weathers) and other paraffinic fuels like **GTL** (Gas-to-Liquids), **CTL** (Coal-to-Liquids), **BTL** (Biomass-to-Liquids).

COMFORT RULES

FIRST-CLASS WORK ENVIRONMENT



ENHANCED COMFORT

Ideal working conditions, every day

- + Pressurized cab with improved sealing, wide access space and increased foot space.
- + Ergonomic air-suspended high-back seat with tilt adjustment and heater.
- + Console suspended with the seat and optimized control lever positions: the operator maintains their preferred working posture when adjusting the seat's position.
- + Reduced pedal travel and footrest reduce fatigue during operation.
- + Automatic air conditioning controls integrated in the monitor.
- + Air conditioning performance improved with a cooling upgrade and optimal air vents location.
- + Optimized storage capacity with lunch box tray and cool box, smartphone tray, and two large drink holders.
- + Quieter cab with 1 dB lower internal noise compared to D-Series.



SAFETY AND MAINTENANCE

WORK SAFELY IN ALL CONDITIONS

SAFER OPERATION AND ACCESSIBILITY

Safety first, inside and outside the cab

- + Reinforced cab structure ROPS and FOPS compliant.
- + Standard FOPS level 2 head protection.
- + Factory fitted travel alarm for greater safety on the jobsite around the machine.
- + New auto lever lock safety feature immediately stops machine movement when the operator unintentionally unlocks the gate lock.
- + Seat belt fastened detection.
- + Wide, robust and comfortable steps, and handrail for safe access to the top of the hood.
- + Non-slip plates and top hood cover supported by two gas pistons and secured by two mechanical stops.
- + Wide platform on top of the engine compartment to work safely on the engine box.

SUPERIOR VISIBILITY

Designed for outstanding visibility

Visibility – already outstanding in the D-Series - has been further enhanced:

- + Glazed surface with improved visibility on the right hand side.
- + Bigger monitor (from 7 to 10”) with higher resolution, five configurable buttons and additional menus on the display.
- + Standard rear- and right-hand cameras.
- + Upgraded cameras for better color balance.
- + Improved front window defrost.
- + New diffusion spray type window washer nozzle ensures better windshield cleaning.
- + LED lights package for brighter and wider illumination.
- + “Follow me” lights function with selectable off timer.



SAFETY AND MAINTENANCE

WORK SAFELY IN ALL CONDITIONS



EASY MAINTENANCE

“Grounded” and connected services solution

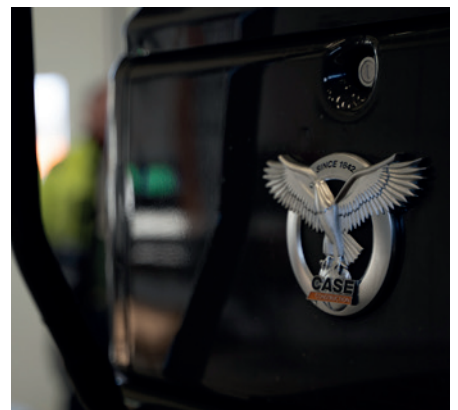
- + New extended service intervals for lower maintenance costs:
 - **Engine oil, fuel & oil filters** extended from 500 to 1,000 hours;
 - **AdBlue supply module filter** was 3,000 hours, it goes up to 4,000 hours.
- + No EGR reduces complexity in the ATS.
- + SCR-on-Filter auto-cleaning device requires no replacement or mechanical cleaning during guaranteed life span.
- + Fuel nozzle with integrated fuel tank float provides better visibility during refilling.
- + Hydraulic oil tank cap with integrated air breather for tool-less refill.
- + Increased washer tank capacity for fewer washer refills.
- + Two-piece split cab floor mat for simpler cleaning.
- + Radiator shroud with larger opening from the side and additional opening below the upper structure for better accessibility.



- + Air cleaner height change for easier put on and off.
- + A/C condenser tilt movement added to facilitate cleaning.
- + Fan belt auto-tensioner requires no manual calibration.
- + Remote diagnostics and assistance, and

interactive maintenance with the new bidirectional CASE SiteConnect module and enhanced SiteWatch telematics services.

- + The CX210E-S will also benefit from a new aftermarket offering of dedicated service maintenance kits, helping the customers to further improve their TCO.



MAIN REASONS TO CHOOSE THE NEW E-SERIES

BEST MATCH BETWEEN SPEED AND CONTROLLABILITY

CASE Intelligent Hydraulics System (CIHS) is synonymous and reference in the market for its fastest cycles times, best energy saving performance and smooth control.

ENHANCED QUALITY AND RELIABILITY

CASE excavators are known for their balanced design and first-class components. Arm, boom and undercarriage structure is now sturdier than ever.

MAXIMIZED COMPETITIVENESS

The CX210E-S is the quintessential addition to our customers' fleet, thanks to the uncompromised CASE quality and performances meeting the cost advantage offered by the new "ESSENTIAL" model.

ENHANCED VERSATILITY

- + **NEW** 4 work modes (Super Power, Power, Eco, Lifting)
- + **NEW** 10 throttle settings, independent from work mode
- + **NEW** arm, boom and swing flow balance customization to suit every application
- + **NEW** attachment types and names storable in the display for quicker tools management
- + **NEW** optional heavier +500kg counterweight to handle heavier attachments

ENHANCED EFFICIENCY

- + **NEW** Eco mode ensures the best selective engine and pump control, maximizing torque only when needed and saving more fuel
- + **NEW** FPT Stage V engine with no EGR, more efficient combustion

ENHANCED CONNECTIVITY

- + **NEW** bidirectional CASE SiteConnect module
- + **NEW** interactive maintenance capabilities
- + **NEW** remote assistance
- + **NEW** standard CASE full telematics solution (modem, wiring, harnesses, antenna and 3-year advanced SiteWatch subscription).



SUPERIOR VISIBILITY

- + **NEW** 10" LCD monitor – the biggest in the industry – with 5 configurable buttons and new menu functions
- + **NEW** front window defrost and washing improvement
- + **NEW** greater visibility on the right hand side
- + LED lighting

ENHANCED COMFORT

- + **NEW** console suspended with seat
- + **NEW** wide access space and increased foot space
- + **NEW** dedicated A/C controls in the monitor, always within easy reach
- + **NEW** improved air conditioning with new air vents
- + **NEW** quieter environment in the cab

EASY MAINTENANCE

- + **NEW** extended 1,000-hour engine oil, fuel & oil filters change interval
- + **NEW** SCR-on-Filter auto-cleaning device – maintenance-free and built-for-life
- + **NEW** easy access to hydraulic tank thanks to cap with air breather
- + **NEW** split type floor mat
- + **NEW** service maintenance kits aftermarket offering for reduced TCO

CLEANER POWER

- + **NEW** STAGE V engine by FPT, the European leader, known for its reliability and innovative tradition, with more than 25 years' experience
- + **NEW** High Efficiency SCR 2 system, covered by 13 patents
- + **NEW** EGR-free
- + **NEW** compatible with HVO and synthetic alternative fuels

SAFER OPERATION AND ACCESSIBILITY

- + ROPS cab with FOPS level 2
- + Standard extended handrails and guardrails
- + Factory fitted travel alarm
- + **NEW** auto lever lock safety feature





THE SCIENCE BIT

The CASE SiteWatch telematics system uses a high-tech control unit mounted on each machine to collate information from that machine and from GPS satellites. This data is then sent wirelessly through the mobile communication networks to the CASE Telematics Web Portal.



SITELATCH: CENTRALISED FLEET CONTROL BENEFITS AT YOUR FINGERTIPS

Measure your true asset availability and optimise it

- + Eliminate the “phantom fleet”: SiteWatch allows to identify spare units or under loaded machines on each site.
- + Become able to reallocate units where they are more needed.
- + Forward maintenance planning is easier since the actualised working hours are always available.
- + Extend the benefits of SiteWatch to the rest of your fleet: SiteWatch can be installed on the units of other brands as well.

Challenge your Total Cost of Ownership!

- + Being able to compare the fuel usage of different machine types will allow you choose the right equipment.
- + Save on transport costs with planned and grouped maintenance tasks.
- + Peace of mind, optimised uptime and lower repair costs: with preventive maintenance you can for example be alerted if the engine needs to be serviced and avoid disruptive breakdown.
- + Be able to compare your asset Return on Investment on different sites.
- + Your equipment is used only during working hours. You can set up alerts so that you know if it is in use during the weekend or at night.
- + Integrate with the programmed maintenance package, which ensures the required services are performed at the right time.

More safety, lower insurance premium

- + Keep thieves away: dissuade them from attacking your asset because it is geo-localised. SiteWatch is hidden so that thieves can't find it quickly.
- + Your fleet is used only where you decide. You can define a virtual fence and receive an email when a machine exits that perimeter.

CASE EXPERT SUPPORT

ALWAYS WITH YOU

SITECONNECT: PROACTIVE SUPPORT AND REMOTE ASSISTANCE

The SiteConnect module allows to establish a 2-way communication between your machine and your CASE Dealer. They will be able to run remote diagnostics and analyze the machine data before travelling to the unit.

Maximize your machine's uptime

- + Save time as your dealer conducts remote assistance to the operator. The machine can be anywhere while the dealer remotely connects with the machine to do diagnostics.
- + The dealer is supporting you with SiteConnect tools to maximize the uptime for your machine

Optimize service efficiency

- + By enabling your dealer to investigate your asset remotely, allows them to resolve issues in the shortest possible time, in a single visit, with the correct parts and tools.
- + Electronic control units installed on the machine may be subject to software updates: With the SiteConnect module your CASE Dealer will be able to do software updates on your machine remotely
- + Increase uptime, reduce costs!

Lower your Total Cost of Ownership

- + Thanks to the data collected about your machine condition and performance by Siteconnect, your CASE dealer can provide a quick and effective service, when you need it. This gives you increased Uptime.



Download the SiteManager app to enable remote access to your equipment directly from Dealer facilities, always under your permission. A sticker with a SiteConnect QR code is placed on the rear window.

Scan the QR code with your mobile device to quickly access the SiteConnect page, where you can easily download the SiteManager App and get more useful contents.



CX210ES



STANDARD AND OPTIONS

STANDARD EQUIPMENT

ENGINE

- + FPT NEF 6-cylinder turbo-charged diesel
- + Stage V
- + Selective Catalytic Reduction on Filter (SCRoF)
- + Diesel Oxidation Catalyst (DOC)
- + EGR-free
- + VGT turbocharger
- + Electronic fuel injection
- + High pressure common rail system
- + Neutral safety start
- + Auto engine warm up, emergency stop
- + Glow-plug pre-heat
- + EPF (Engine Protection Feature)
- + Dual-stage fuel filtration
- + Dual element air filter
- + Remote oil filter
- + Green plug oil drain
- + 1,000 hour engine oil and fuel filters change interval
- + 24-volt system
- + Battery disconnect switch
- + High ambient temperature cooling package
- + External fuel and AdBlue gauges
- + Fuel cooler
- + Fuel filter + fuel prefilter with water accumulation indicator
- + Fuel shut-off valve
- + Idle start
- + Radiator, oil cooler, intercooler – protective screen
- + Refueling pump

FUEL ECONOMY SYSTEMS

- + Eco mode
- + Auto idle
- + One-touch idle
- + Idle shutdown
- + Pump Torque Control (PTC)
- + Boom Economy Control (BEC)
- + Swing Relief Control (SRF)
- + Spool Stroke Control (SSC)
- + Boom Oil Regeneration (BOR)

HYDRAULICS

- + Hydraulic flow control balance
- + Electronically controlled hydraulic pumps
- + Auto power boost
- + Auto travel speed change
- + 4 selectable work modes
- + Overload warning device
- + ISO pattern controls
- + Pre-set auxiliary pump settings
- + Switch controlled auxiliary selection
- + Auxiliary valve
- + Hydraulic filter restriction indicator
- + Multifunction (hammer/high flow) circuit with electrical proportional control
- + Oil cooler
- + 5,000 hour hydraulic oil change interval
- + 2,000 hour hydraulic filter change interval
- + Hydraulic quick coupler provision
- + Hydraulic fluid supply port with air breather

UPPERSTRUCTURE

- + ISO mirrors
- + Handrail – RH access
- + ISO guard rails
- + Isolation mounted cab (fluid and spring)
- + Lifting eyes for counterweight
- + Lockable fuel cap, service doors and toolbox
- + Rear and side view safety camera

OPERATOR STATION

- + ROPS protection
- + FOPS guard OPG level 2
- + Pressurized cab
- + Tempered safety glass
- + One-touch lock front window
- + Sun visor & rain deflector
- + A/C, heating and defrosting with automatic control
- + Luch box & cool box, cup holders & ashtray
- + Interior dome light
- + Multi-adjustable low frequency air suspension console and tiltable heated seat with air springs and double acting hydraulic damper

- + Sliding seat – 90 mm
- + Seat belt with fasten detection
- + Adjustable armrests
- + Low-effort joystick controls
- + Sliding cockpit - 80 mm
- + Auxiliary select system
- + Aux-in port for personal electronics
- + Multifunction LED color monitor (10”), with silicon switches
- + 22 selectable languages for monitor
- + Anti-theft system (start code system)
- + Travel alarm
- + AM/FM Bluetooth radio with antenna and 2 speakers
- + Split type floor mat
- + 12-volt electric socket
- + 24-volt cigarette lighter
- + One-piece right hand window
- + 7 LED work lights (2 cab roof, 1 LH boom, 1 toolbox, 3 all-around)
- + Windshield wiper / washer
- + Clear (Lexan) roof window with sunshade
- + Rain deflector
- + Storage compartments
- + On-board diagnostic system

ATTACHMENTS

- + Standard HD boom 5.7 m
- + HD arm 2.94 m
- + Attachment types and names storable in the display

UNDERCARRIAGE

- + 600 mm steel triple grouser HD shoes
- + Full overlap turntable bearing tub
- + Sealed link chain
- + Lashing points

TELEMATICS

- + SiteConnect module and 3 years advanced SiteWatch subscription with remote monitoring

OPTIONAL EQUIPMENT

HYDRAULICS

- + Low-flow circuit, proportional control

UPPERSTRUCTURE

- + Additional +500 kg counterweight

ATTACHMENTS

- + + HD arm 2.40 m

UNDERCARRIAGE

- + 700 mm steel triple grouser shoes

SPECIFICATIONS

CX210E-S

ENGINE

Model _____ FPT NEF6
 Type _____ Water-cooled, 4-cycle diesel, 6-cylinder in line, High pressure common rail system (electric control), Turbocharger with air cooled intercooler, SCRof, EGR free.
 Number of cylinders / Displacement (l) _____ 6 / 6.7
 Emissions level _____ Stage V
 Bore and stroke (mm) _____ 104 x 132

Rated flywheel horse power

ISO 9249 (kW) _____ 120.4 at 1800 min⁻¹ (rpm)
 ISO 14396 (kW) _____ 124.0 at 1800 min⁻¹ (rpm)

Maximum torque

ISO 9249 (Nm) _____ 644 at 1600 min⁻¹ (rpm)
 ISO 14396 (Nm) _____ 657 at 1600 min⁻¹ (rpm)

HYDRAULIC SYSTEM

Main pumps _____ 2 variable displacement axial piston pumps with regulating system
 Max. oil flow (l/min) _____ 2 x 211 at 1800 min⁻¹

Working circuit pressure

Boom/Arm/Bucket (MPa) _____ 34.3 - 37.3 with auto power boost
 Swing circuit (MPa) _____ 29.4
 Travel circuit (MPa) _____ 34.3
 Pilot pump (l/min) _____ 18
 Working circuit pressure (MPa) _____ 3.9

Boom cylinders

Bore (mm) _____ 120
 Stroke (mm) _____ 1255

Arm cylinder

Bore (mm) _____ 140
 Stroke (mm) _____ 1460

Bucket cylinder

Bore (mm) _____ 120
 Stroke (mm) _____ 1010

SWING

Swing motor _____ Fixed displacement axial piston motor
 Maximum swing speed (min⁻¹) _____ 11.5
 Swing torque (Nm) _____ 64,000

FILTERS

Suction filter (µm) _____ 105
 Return filter (µm) _____ 6
 Pilot line filter (µm) _____ 8

ELECTRICAL SYSTEM

Voltage (V) _____ 24
 Alternator (Amp) _____ 90
 Starter (V - kW) _____ 24 - 4.0
 Battery _____ 2 x 12 V 110 Ah - 880 ACC

UNDERCARRIAGE

Travel motor _____ Variable displacement axial piston motor
 High travel speed (Automatic travel speed shifting) (km/h) _____ 5.6
 Low travel speed (km/h) _____ 3.4
 Drawbar pull (kN) _____ 181
 Number of carrier rollers (each side) _____ 2
 Number of track rollers (each side) _____ 8
 Number of shoes (each side) _____ 49
 Type of shoes _____ Triple grouser shoes
 Gradeability _____ 70% (35°)

NOISE

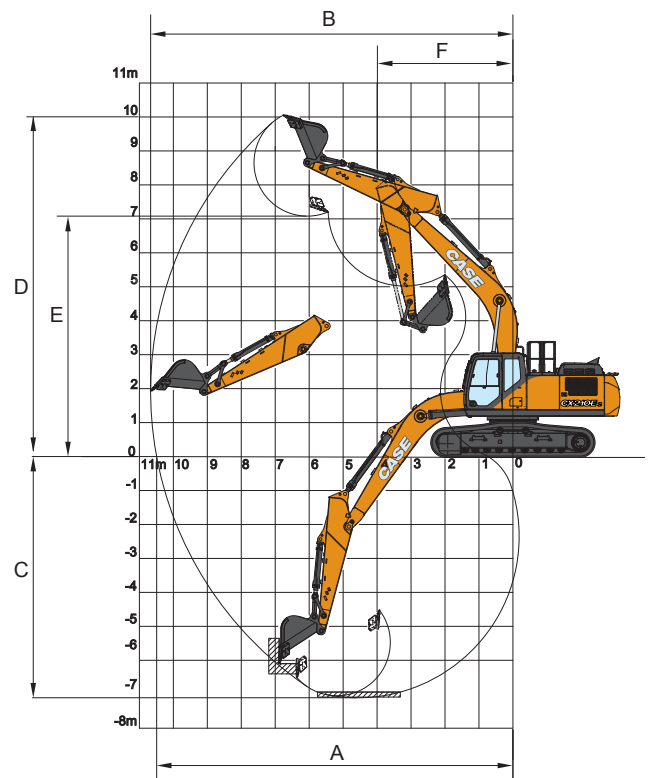
External guaranteed sound level (EU Directive 2000/14/EC) (dB(A)) _____ LwA 100
 Operator cab sound pressure level (ISO 6396) (dB(A)) _____ LpA 68

CIRCUIT AND COMPONENT CAPACITIES

Fuel tank (l) _____ 410
 Hydraulic system (l) _____ 280
 Hydraulic tank (l) _____ 162
 AdBlue tank (l) _____ 84

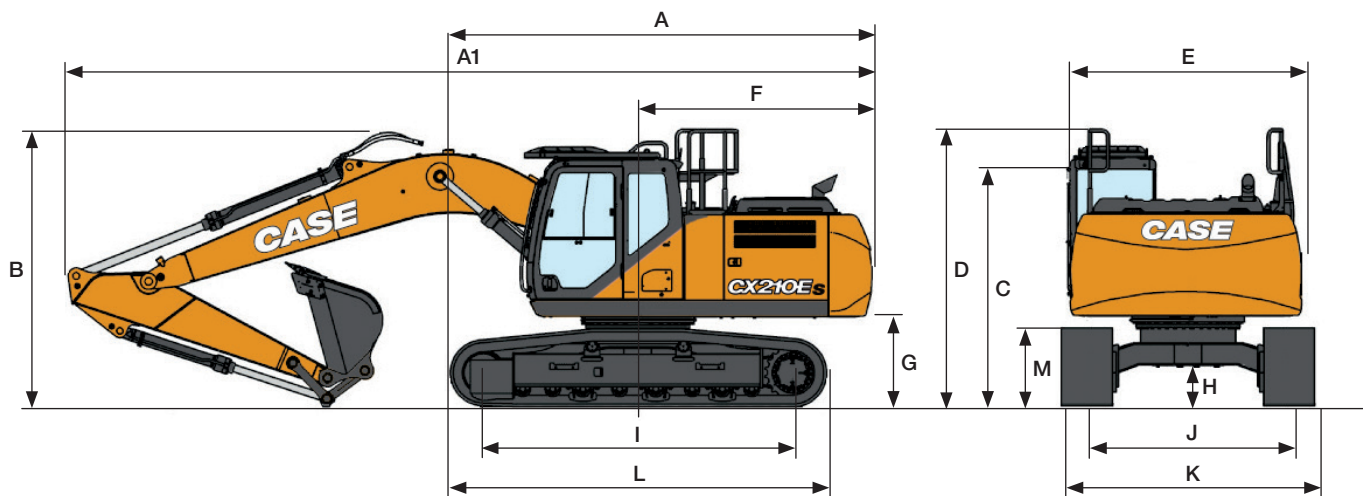
PERFORMANCE DATA		Arm 2.40 m	Arm 2.94 m
Boom length	mm	5700	5700
Bucket radius	mm	1450	1450
Bucket wrist action	°	177	177
A Maximum reach at GRP	mm	9240	9730
B Maximum reach	mm	9420	9900
C Max. digging depth	mm	6110	6640
D Max. digging height	mm	9400	9610
E Max. dumping height	mm	6590	6810
F Min. swing radius	mm	3620	3660

DIGGING FORCE (ISO 6015)		Arm 2.40 m	Arm 2.94 m
Arm digging force	kN	123	103
with auto power boost	kN	133	112
Bucket digging force	kN	142	142
with auto power boost	kN	154	154



SPECIFICATIONS

CX210E-S LC MONO



GENERAL DIMENSIONS		Arm 2.40 m	Arm 2.94 m
A Overall length (without attachment)	mm	5050	5050
A1 Overall length (with attachment)	mm	9550	9470
B Overall height (to top of boom)	mm	3170	2980
C Cab height	mm	3070	3070
D Overall height (to top of guardrail)	mm	3150	3155
E Upper structure overall width	mm	2760	2760
F Swing (rear end radius)	mm	2830	2830
G Clearance height under upper structure	mm	1040	1040
G Minimum ground clearance	mm	440	440
I Wheel base (center to center of wheels)	mm	3660	3660
J Track gauge	mm	2390	2390
K Undercarriage overall width (with 600 mm HD shoes)	mm	2990	2990
L Crawler overall length	mm	4470	4470
M Crawler tracks height	mm	920	920

WEIGHT AND GROUND PRESSURE

With 2.94 m arm, 1.08 m³ HD bucket, operator, lubricant, coolant, full fuel tank, FOPS protection level 2 and standard counterweight.

	WEIGHT	GROUND PRESSURE
600 mm HD grouser shoes	22240 kg	0.050 MPa
700 mm grouser shoes	22540 kg	0.043 MPa

STD Counterweight: 3800 kg
HEAVY Counterweight: 3800 kg + 500 kg

LIFTING CAPACITY

CX210E-S LC MONO

		REACH										
		2.0 m		4.0 m		6.0 m		8.0 m		At max reach		
Front	Side											m
LC UNDERCARRIAGE - Standard arm 2.94 m, 600 mm shoes, max reach 8.45 m												
8.0 m										4060*	4060*	5.72
6.0 m					4780*	4780*				3595*	3595*	7.33
4.0 m			7190*	7190*	5540*	5015	4535*	3115	3540*	3000		8.16
2.0 m			10360*	8350	6690*	4630	4725	2990	3740*	2735		8.45
0 m			11925*	7780	7085	4340	4610	2885	4265*	2760		8.25
-2.0 m	9230*	9230*	11725*	7730	6990	4255			5030	3140		7.53
-4.0 m	16490*	16490*	9900*	7985	6290*	4430			6125*	4355		6.09
LC UNDERCARRIAGE - HEAVY COUNTERWEIGHT - Standard arm 2.94 m, 600 mm shoes, max reach 8.45 m												
8.0 m										4060*	4060*	5.72
6.0 m					4780*	4780*				3595*	3595*	7.33
4.0 m			7190*	7190*	5540*	5315	4535*	3330	3540*	3210		8.16
2.0 m			10360*	8870	6690*	4930	4990	3200	3740*	2935		8.45
0 m			11925*	8300	7475	4640	4870	3095	4265*	2965		8.25
-2.0 m	9230*	9230*	11725*	8250	7380	4555			5315	3365		7.53
-4.0 m	16490*	16490*	9900*	8505	6290*	4730			6125*	4650		6.09
LC UNDERCARRIAGE - Short arm 2.40 m, 600 mm shoes, max reach 7.97 m												
8.0 m										5795*	5795*	4.98
6.0 m					5420*	5265				5445*	4270	6.77
4.0 m			8250*	8250*	6100*	5020			5250	3390		7.66
2.0 m			11310*	8290	7165*	4680			4825	3085		7.97
0 m			12250*	7935	7190	4450			4940	3135		7.75
-2.0 m	9945*	9945*	11570*	7980	7160	4425			5770	3635		6.98
-4.0 m			9120*	8300					6470*	5395		5.39
LC UNDERCARRIAGE - HEAVY COUNTERWEIGHT - Short arm 2.40 m, 600 mm shoes, max reach 7.97 m												
8.0 m										5795*	5795*	4.98
6.0 m					5420*	5420*				5445*	4525	6.77
4.0 m			8250*	8250*	6100*	5320			5345*	3615		7.66
2.0 m			11310*	8810	7165*	4980			5090	3300		7.97
0 m			12250*	8460	7580	4750			5215	3355		7.75
-2.0 m	9945*	9945*	11570*	8500	7550	4725			6080	3885		6.98
-4.0 m			9120*	8820					6470*	5740		5.39

* The above loads (kg) are compliant to the ISO standards and refer to the excavator equipped without bucket. The indicated loads are no more than 87% of hydraulic system lift capacity or 75% of static tipping load. Values marked with an asterisk (*) are limited by the hydraulic lifting capacity.

HAMMER

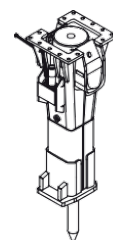
CX210E-S LC MONO

DIRECT FIT

Model	Install weight kg	Reference machine setting		Arm 2.40 m	Arm 2.94 m
		Flow l/min	Relief pressure MPa		
CB BREAKER					
CB240S	1150	115	19-21	<input type="checkbox"/>	<input type="checkbox"/>
CB290S	1500	145	21-22	<input type="checkbox"/>	<input type="checkbox"/>

Applicable
 Not applicable

Applicable with condition
 (only light duty works as residential construction or utilities maintenance)



BUCKETS

CX210E-S LC MONO

LC DIRECT FIT



Capacity m ³ (ISO7451 HEAPED)	Width mm	Weight kg	Arm 2.40 m	Arm 2.94 m
HEAVY DUTY BUCKETS				
0.45	600	560	○	○
0.60	750	640	○	○
0.76	900	730	○	○
0.85	1000	760	○	○
0.92	1050	800	○	○
0.96	1100	830	○	○
1.08	1200	880	○	●
1.24	1350	970	●	▲
1.40	1500	1040	▲	■

Capacity m ³ (ISO7451 HEAPED)	Width mm	Weight kg	Arm 2.40 m	Arm 2.94 m
ROCK BUCKETS				
0.44	600	710	○	○
0.59	750	800	○	○
0.75	900	880	○	○
0.85	1000	940	○	○
0.91	1050	980	○	○
0.96	1100	1010	○	●
1.07	1200	1060	●	▲
1.23	1350	1150	▲	■

Capacity m ³ (ISO7451 HEAPED)	Width mm	Weight kg	Arm 2.40 m	Arm 2.94 m
DITCH CLEANING BUCKETS				
0.86	1830	650	○	○
0.94	2130	710	○	○

Capacity m ³ (ISO7451 HEAPED)	Width mm	Weight kg	Arm 2.40 m	Arm 2.94 m
GRADING BUCKETS				
0.97	1800	680	○	○
1.17	2100	740	○	●
1.35	2400	830	●	▲

Capacity m ³ (ISO7451 HEAPED)	Width mm	Weight kg	Arm 2.40 m	Arm 2.94 m
90° TILT DITCH CLEANING BUCKETS**				
0.68	1800	770	○	○
0.76	2000	810	○	○
0.83	2200	880	○	○
0.91	2400	920	○	●
0.95	2500	950	●	●

LC QUICK COUPLED



Capacity m ³ (ISO7451 HEAPED)	Width mm	Weight kg	Arm 2.40 m	Arm 2.94 m
HEAVY DUTY BUCKETS				
0.45	600	560	○	○
0.60	750	640	○	○
0.76	900	730	○	○
0.85	1000	760	○	○
0.92	1050	800	○	●
0.96	1100	830	●	●
1.08	1200	880	●	▲
1.24	1350	970	▲	■
1.40	1500	1040	■	—

Capacity m ³ (ISO7451 HEAPED)	Width mm	Weight kg	Arm 2.40 m	Arm 2.94 m
ROCK BUCKETS				
0.44	600	710	○	○
0.59	750	800	○	○
0.75	900	880	○	○
0.85	1000	940	○	●
0.91	1050	980	●	●
0.96	1100	1010	●	▲
1.07	1200	1060	▲	■
1.23	1350	1150	■	—

Capacity m ³ (ISO7451 HEAPED)	Width mm	Weight kg	Arm 2.40 m	Arm 2.94 m
DITCH CLEANING BUCKETS				
0.86	1830	650	○	○
0.94	2130	710	○	●

Capacity m ³ (ISO7451 HEAPED)	Width mm	Weight kg	Arm 2.40 m	Arm 2.94 m
GRADING BUCKETS				
0.97	1800	680	○	●
1.17	2100	740	●	▲
1.35	2400	830	▲	■

- Rated material density up to 2 ton/m³
- Rated material density up to 1.6 ton/m³
- ▲ Rated material density up to 1.4 ton/m³
- Rated material density up to 1.2 ton/m³

- Not applicable
- * with bolt-on edge
- **Tilt angle 45° L/R Connect to Low-Flow Auxiliary Hydraulic Circuit

BUCKETS

CX210E-S LC - HEAVY COUNTERWEIGHT

LC DIRECT FIT



Capacity m ³ (ISO7451 HEAPED)	Width mm	Weight kg	Arm 2.40 m	Arm 2.94 m
HEAVY DUTY BUCKETS				
0.45	600	560	○	○
0.60	750	640	○	○
0.76	900	730	○	○
0.85	1000	760	○	○
0.92	1050	800	○	○
0.96	1100	830	○	○
1.08	1200	880	○	○
1.24	1350	970	●	●
1.40	1500	1040	●	▲

Capacity m ³ (ISO7451 HEAPED)	Width mm	Weight kg	Arm 2.40 m	Arm 2.94 m
ROCK BUCKETS				
0.44	600	710	○	○
0.59	750	800	○	○
0.75	900	880	○	○
0.85	1000	940	○	○
0.91	1050	980	○	○
0.96	1100	1010	○	○
1.07	1200	1060	○	●
1.23	1350	1150	●	▲

Capacity m ³ (ISO7451 HEAPED)	Width mm	Weight kg	Arm 2.40 m	Arm 2.94 m
DITCH CLEANING BUCKETS				
0.86	1830	650	○	○
0.94	2130	710	○	○

Capacity m ³ (ISO7451 HEAPED)	Width mm	Weight kg	Arm 2.40 m	Arm 2.94 m
GRADING BUCKETS				
0.97	1800	680	○	○
1.17	2100	740	○	○
1.35	2400	830	●	●

Capacity m ³ (ISO7451 HEAPED)	Width mm	Weight kg	Arm 2.40 m	Arm 2.94 m
90° TILT DITCH CLEANING BUCKETS**				
0.68	1800	770	○	○
0.76	2000	810	○	○
0.83	2200	880	○	○
0.91	2400	920	○	○
0.95	2500	950	○	●

LC QUICK COUPLED



Capacity m ³ (ISO7451 HEAPED)	Width mm	Weight kg	Arm 2.40 m	Arm 2.94 m
HEAVY DUTY BUCKETS				
0.45	600	560	○	○
0.60	750	640	○	○
0.76	900	730	○	○
0.85	1000	760	○	○
0.92	1050	800	○	○
0.96	1100	830	○	○
1.08	1200	880	●	●
1.24	1350	970	●	▲
1.40	1500	1040	▲	■

Capacity m ³ (ISO7451 HEAPED)	Width mm	Weight kg	Arm 2.40 m	Arm 2.94 m
ROCK BUCKETS				
0.44	600	710	○	○
0.59	750	800	○	○
0.75	900	880	○	○
0.85	1000	940	○	○
0.91	1050	980	○	●
0.96	1100	1010	○	●
1.07	1200	1060	●	▲
1.23	1350	1150	▲	■

Capacity m ³ (ISO7451 HEAPED)	Width mm	Weight kg	Arm 2.40 m	Arm 2.94 m
DITCH CLEANING BUCKETS				
0.86	1830	650	○	○
0.94	2130	710	○	○

Capacity m ³ (ISO7451 HEAPED)	Width mm	Weight kg	Arm 2.40 m	Arm 2.94 m
GRADING BUCKETS				
0.97	1800	680	○	○
1.17	2100	740	●	●
1.35	2400	830	●	▲

- Rated material density up to 2 ton/m³
- Rated material density up to 1.6 ton/m³
- ▲ Rated material density up to 1.4 ton/m³
- Rated material density up to 1.2 ton/m³

- Not applicable
- * with bolt-on edge
- **Tilt angle 45° L/R Connect to Low-Flow Auxiliary Hydraulic Circuit

BUILDING A STRONG CASE.

Since 1842, at CASE Construction Equipment we have lived by an unwavering commitment to build practical, intuitive solutions that deliver both efficiency and productivity.

We continually strive to make it easier for our customers to implement emerging technologies and new compliance mandates.

Today, our global scale combined with our local expertise enables us to keep customers' real-world challenges at the center of our product development.

The vast CASE dealers' network is always ready to support and protect your investment and exceed your expectations, while also providing you with the ultimate ownership experience.

Our goal is to build both stronger machines-and stronger communities. At the end of the day, we do what's right for our customers and our communities so that they can count on CASE.

CNH Industrial
Deutschland GmbH
Case Baumaschinen
Benzstr. 1-3 - D-74076 Heilbronn
DEUTSCHLAND

CNH Industrial
Maquinaria Spain, S.A.
Avenida Aragón 402
28022 Madrid - ESPAÑA

CNH Industrial France, S.A.
16-18 Rue des Rochettes
91150 Morigny-Champigny
FRANCE

CNH Industrial Italia Spa
Lungo Stura Lazio 19
10156, Torino
ITALIA

CASE Construction Equipment
Cranes Farm Rd
Basildon - SS14 3AD
UNITED KINGDOM

NOTE: Standard and optional fittings can vary according to the demands and specific regulations of each country. The illustrations may include optional rather than standard fittings - consult your Case dealer. Furthermore, CNH Industrial reserves the right to modify machine specifications without incurring any obligation relating to such changes.

Conforms to directive 2006/42/EC

CASECE.COM
00800-2273-7373

The call is free from a land line.
Check in advance with your Mobile Operator if you will be charged. Toll free number not available from all calling areas.

